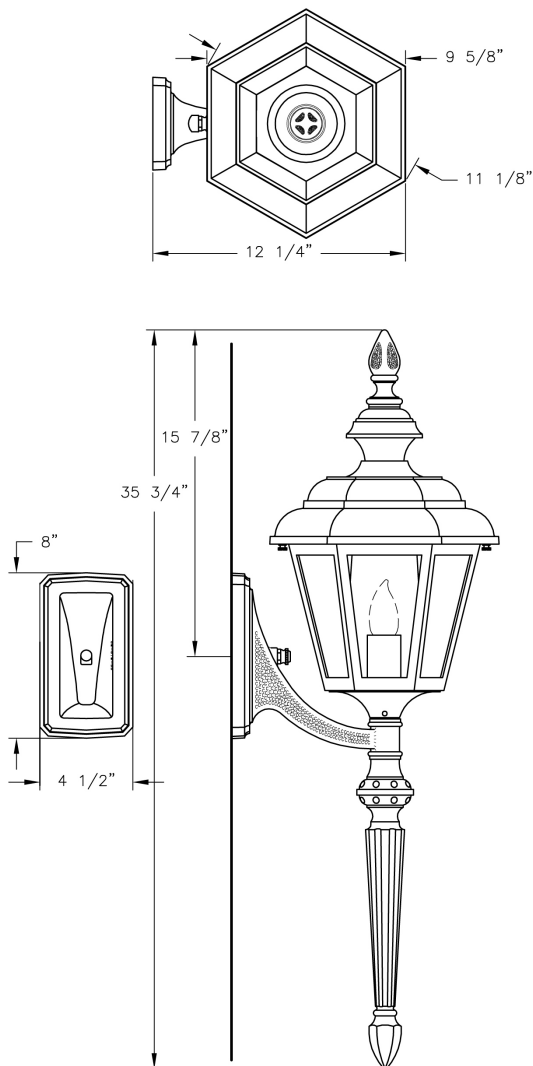


Medium Value Line Wall Mount (B9934) Specification Sheet

Project Name:	Location:	MFG: Philips Lighting
Fixture Type:	Catalog No.:	Qty:



Ordering Guide

Example: B9934 ABS A D

Product Code	B9934	Medium Value Line Wall Mount
Finish	ABS ACP ARD ASI BLK BRN BRZ FGN GRA IRN RBZ SRT VBZ VCP VGN VTC WBZ WHT	Antique Brass Antique Copper Antique Red Antique Silver Black Brown Bronze Forest Green Granite Ironstone Rustic Bronze Shadow Rust Verde Bronze Verde Copper Verde Vintage Copper Weathered Bronze White
Panel/Globe	A C E B M Q D P J G K F H L	Clear Acrylic (standard) Clear Seeded Acrylic Clear Textured Acrylic Opal Acrylic Opal Polycarbonate Prismatic Polycarbonate Bronze Tone Acrylic Clear Polycarbonate Clear Beveled Glass Clear Glass Clear Seeded Glass Frosted Glass Opalescent Honey Glass White Iridescent
Lamping	D C3	Medium Base B1-3 light cluster

Specifications

CONSTRUCTION:

Cast aluminum bracket arm. Cast aluminum hex cage with cone bottom. Cast aluminum finial & cap. Spindle made of cast aluminum. Cast aluminum hex roof secured with thumbscrews.

FINISH:

Resilient TGIC thermoset polyester powdercoat paint is electrostatically applied to every fixture. Specially formulated for Philips Outdoor Lighting, it provides UV protection, and the highest temperature rating in the industry. In addition to the standard color choices shown, a spectrum of custom colors is available.

PANELS/LENS/GLOBE:

Set of 6 Clear Acrylic (CA) panels (standard). Higher wattages may be used only with glass panels installed.

LAMPING:

Medium Value Line Wall Mount (B9934) Specification Sheet

Project Name:	Location:	MFG: Philips Lighting
Fixture Type:	Catalog No.:	Qty:

Medium base socket (D), 100W max. Or, B1-3 light candelabra (C3), 25W max per candelabra. Lamp(s) not included. Higher wattages used only with glass panels.

ELECTRICAL ASSEMBLY:

Porcelain medium base socket with painted aluminum cover. Fixture is pre-wired with 18 AWG black, white, and ground wires. Lantern will be prewired and tested. All electrical components are ETL listed.

MOUNTING:

See template for dimensions & mounting instructions.

WARRANTY:

Lifetime limited warranty.

CERTIFICATIONS:

ETL Listed to U.S. safety standards for wet locations. cETL Listed to Canadian safety standards for wet locations.

Height:

35 1/4"

Width:

11 1/8"

Projection:

12 1/4"

Top to Outlet:

16 7/8"

Max. Weight:

13.25 lb.